

VIBRASORB PD Mounts



Description:

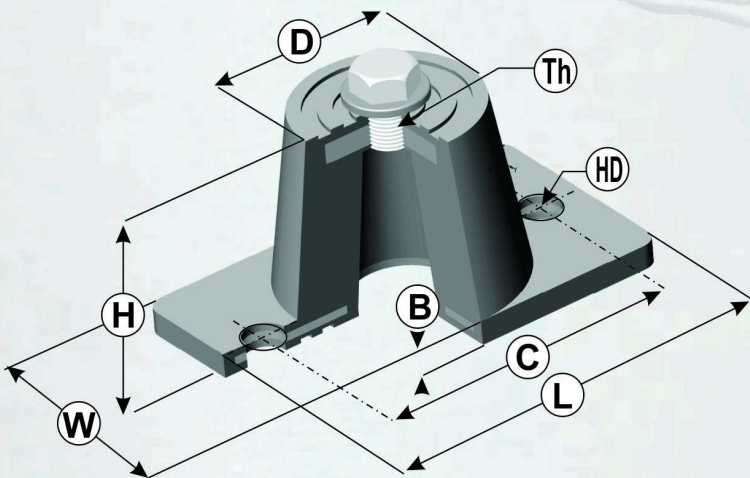
Our PD Mounts are high deflection mountings which are able to efficiently reduce noise and high frequency vibration from fans, pumps, aircon units and other general rotating machinery.

Features

- High Deflection
- Load ratings from 20 - 1500kg (colour coded)
- Non-Skid ribbed base
- Can be made in different compounds for special applications.

Load Ratings

Size	Hardness	Load Range (kg)	max deflection (mm)
PD1	40 - Green	20 - 35	5
	50 - Red	30 - 50	
PD2	40 - Green	50 - 100	7
	60 - White	80 - 150	
PD3	40 - Green	70 - 125	10
	50 - Red	110 - 225	
	70 - Yellow	200 - 375	
PD4	50 - Red	300 - 475	10
	70 - Yellow	400 - 750	
PD5	70 - Yellow	750 - 1500	10



Characteristics

- All metals covered by rubber to prevent corrosion
- Top and Base rib design to improve grip
- Specifically manufactured for fans, pumps, air-conditioning units and other general rotating machinery

Dimensions in (mm)

Size	Length L	Width W	Height H	Top Dia D	Thread Th	Base thickness B	Hole Centres HC	Hole dia HD
PD1	80	43	38	30	M8	6	59	10.5
PD2	98	58	48	45	M10	6	76	10.5
PD3	140	83	70	65	M12	6	104	14
PD4	158	100	70	88	M12	7	128	14
PD5	186	130	70	115	M12	8	155	14

JOHANNESBURG (Head Office)

011 903 4616

www.sndsa.co.za