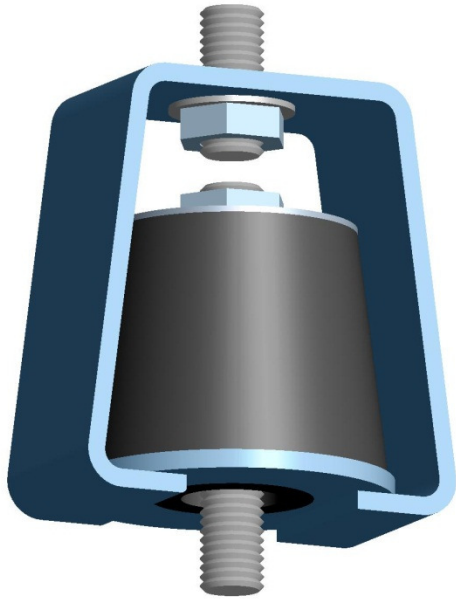


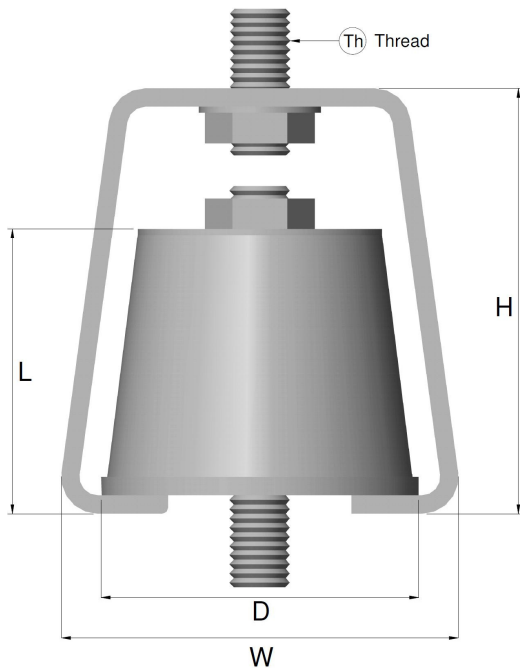


## Rubber Hanger Range



### Load Ratings (kg)

Size	Hardness	Load Range (kg)	Deflection (mm)
RH1	Green	20-35	6
	Red	35-70	
RH2	Red	90-180	8
	Yellow	140-270	
RH3	White	200-375	10
	Yellow	350-700	
RH4	Yellow	600-1150	10



### Description:

These hanger mounts use Natural Rubber elements to reduce vibration for pipes or various equipment. The main function of these mounts, is to reduce noise. The RH range works efficiently between 5-10 mm deflection.

### Dimensions (mm)

Size	H	W	D	L	Th
RH1	72	56	50	55	M10
RH2	115	108	50	75	M12
RH3	115	108	50	75	M12
RH4	159	121	65	90	M20